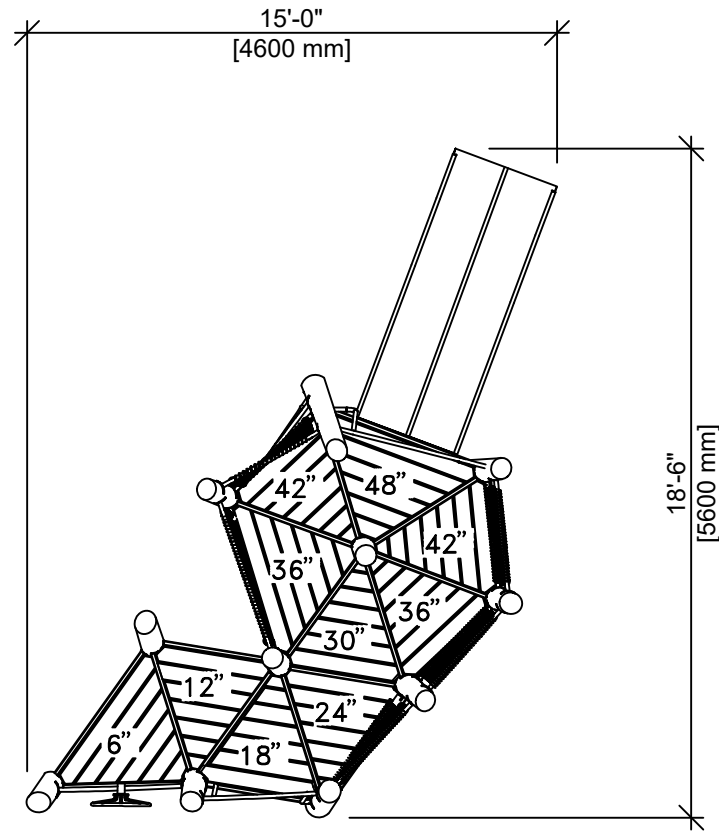
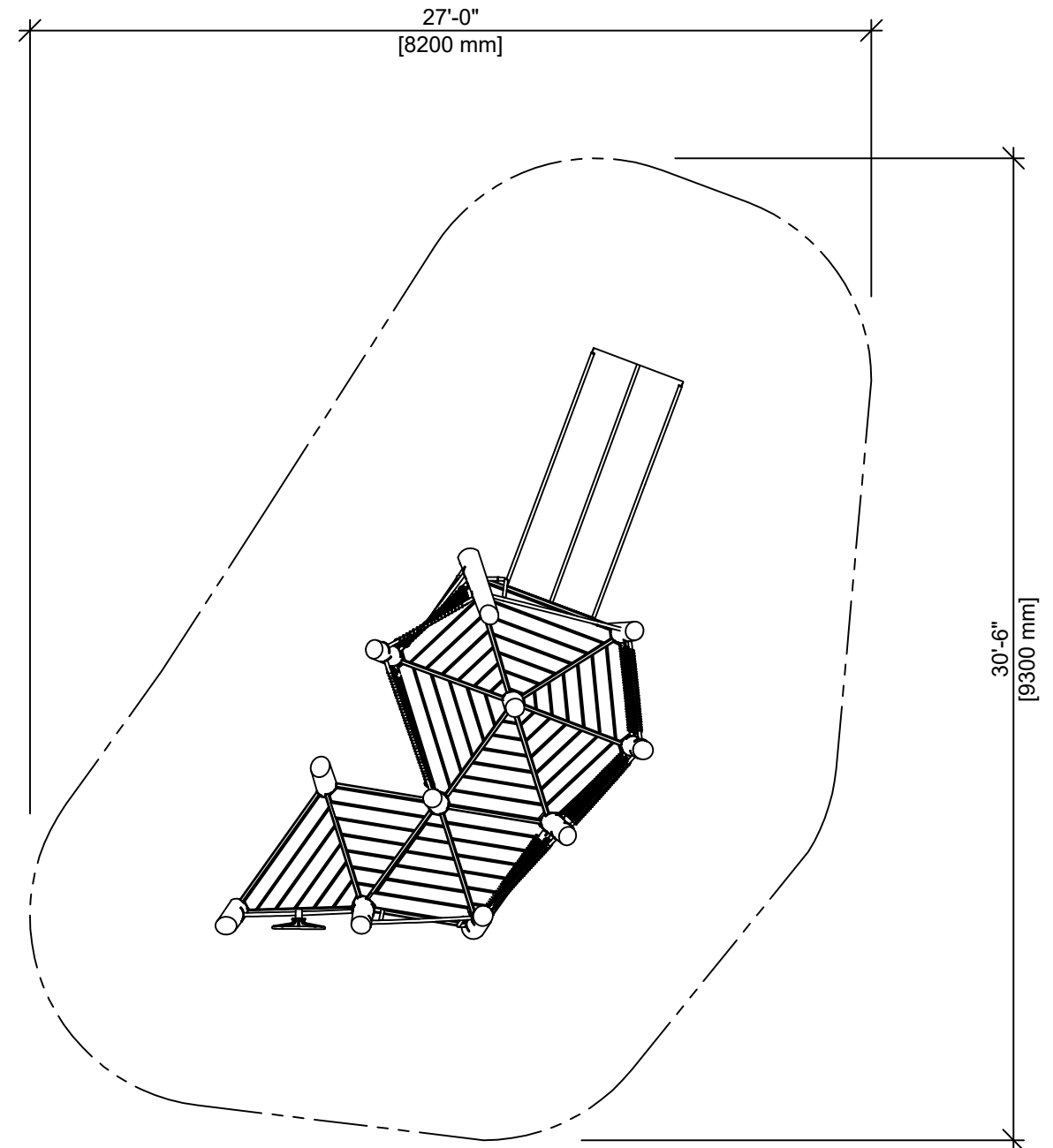


**4500-114 FEATURES:**  
 WIDE SLIDE CHUTE WITH CENTER RAIL  
 PANEL WITH HOLE  
 SHIPS WHEEL



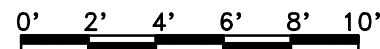
PLAN VIEW  
 SCALE: 3/16"=1'-0"



EQUIPMENT ONLY:  
 15'-0" x 18'-6" (4.6m x 5.6m)  
 MINIMUM SAFE USE ZONE:  
 27'-0" x 30'-6" (8.2m x 9.3m)

PLAN VIEW WITH USE ZONE  
 SCALE: 3/16"=1'-0"

**NOTE:**  
 CONCRETE FOOTING AND NO. 4  
 REBAR (BY OTHERS) PER LOCAL  
 SOIL CONDITIONS. CONSULT  
 PROJECT ENGINEER FOR EXACT  
 REQUIREMENTS.



Date	Revision	By
△		
△		
△		
△	1-19-22	NOTES REV AC/JH
Scale	Drawn by: WW	02-27-20
NOTED	Ck'd by: JK	02-27-20

**COLUMBIA CASCADE COMPANY**  
 Makers of TimberForm®, PipeLine®, RePlay®  
 TimberForm®-2 and CycLoops® Products.  
[www.TimberForm.com](http://www.TimberForm.com)  
 Phone: 503/223-1157 Email: HQ@TimberForm.com

Title:  
 TIMBERFORM  
 MODEL NO. 4500-114  
 PLAY AREA

This drawing reveals the copyrighted intellectual property of Columbia Cascade Company. Not for use by others without our express, written authorization.

Drawing No.  
 W-4500-114

Sheet  
 1 of 1